

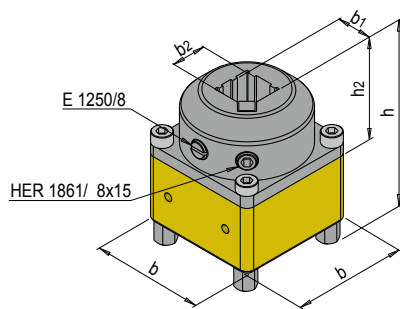


PRODUCT DESCRIPTION

» Compatible with ITS-50

MATERIAL

» Head: 1.2083, Base: 2.0401



b	h	h2	b1	b2	No.	EUR
51	69	29	15	15	HER 1412/15	<>
51	75	35	25	25	HER 1412/25	<>